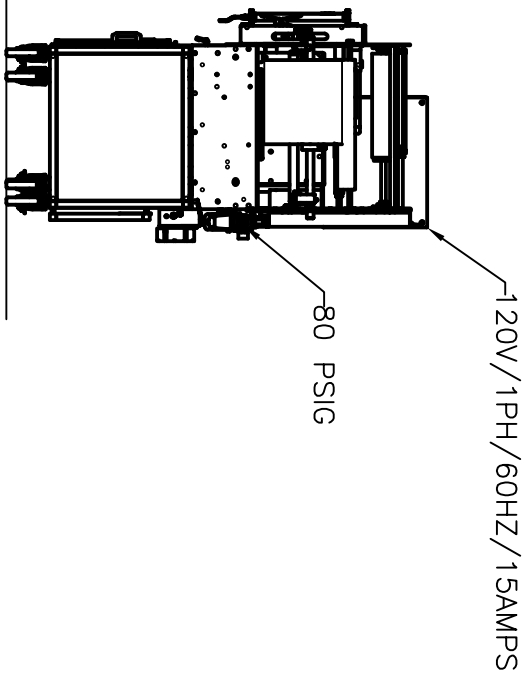
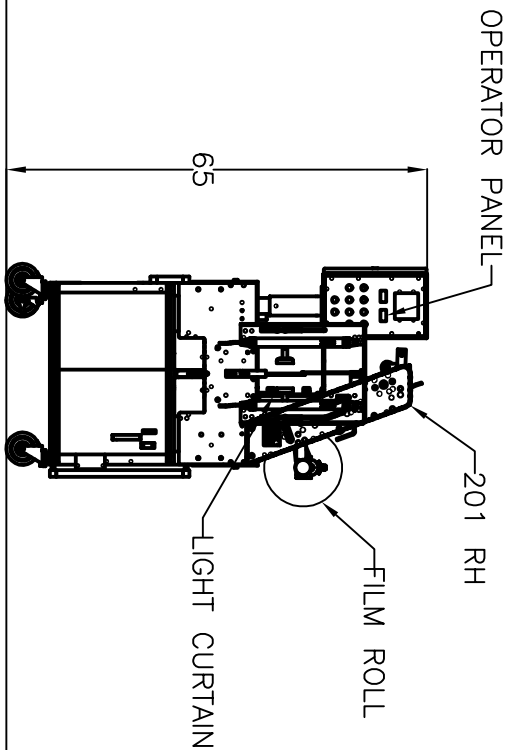
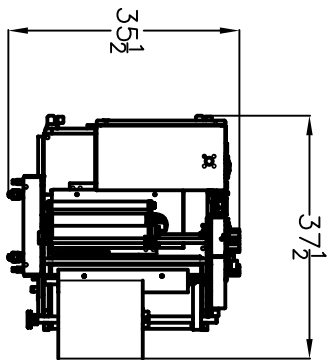


ALL DIMENSIONS IN INCHES
ALL DIMENSIONS APPROXIMATE

DRAWING NUMBER:
D0004491



This drawing and all information contained herein is the property of Remnco, LLC and is confidential and must not be made public or reproduced by any means unless authorized by Remnco, LLC and is subject to return upon demand.

APPROVAL SIGNATURE OF CUSTOMER AGENT. SIGNATURE INDICATES ACCEPTANCE OF EQUIPMENT LAYOUT.

SIGNED: _____

COMPANY: _____

PROJECT #: _____

DATE: _____

MATERIAL:

FINISH:

NEXT ASSY:

ENG. BY:

DRAWN BY:

TITLE:

300 ELM ST. - HOMER, MI 49245

PHONE: (517) 568-4121
FAX: (517) 568-4799



a division of Pro Mach

201 RH HAND LOAD

SCALE: N/A A

DATE: 10/12/15

DRAWING NUMBER:

D00004491