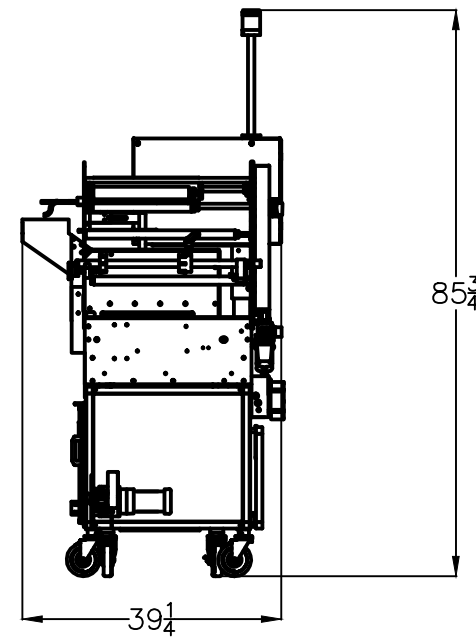
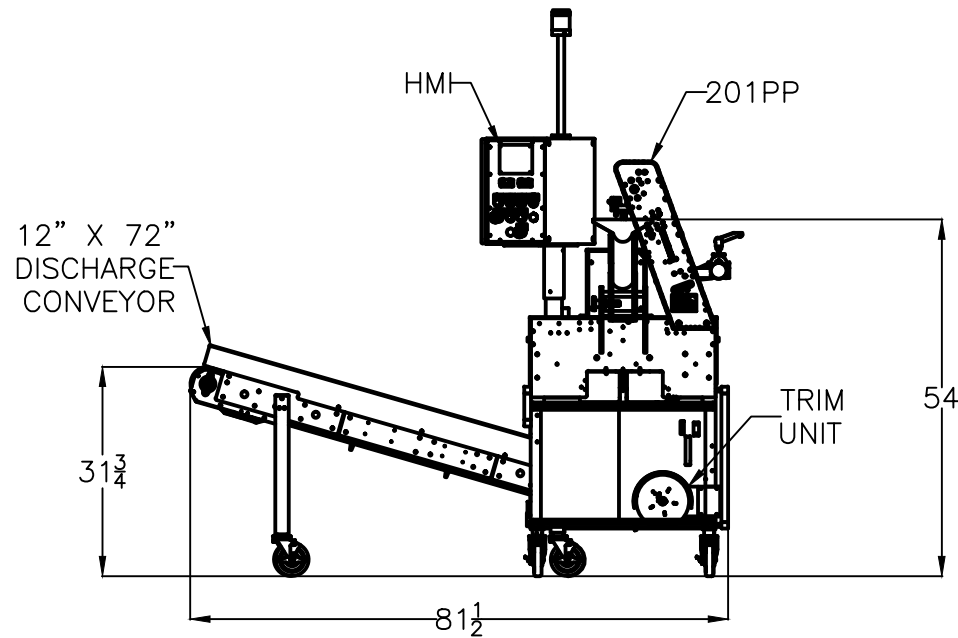
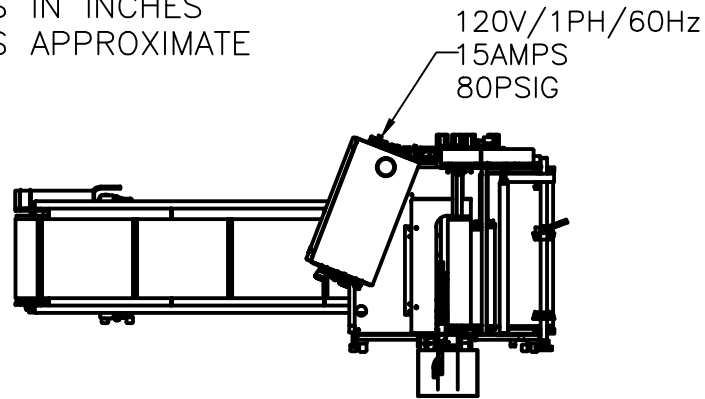


ALL DIMENSIONS IN INCHES
ALL DIMENSIONS APPROXIMATE

DRAWING NUMBER:
D0004194



This drawing and all information contained herein is the property of Rennco, LLC and is confidential and must not be made public or reproduced by any means unless authorized by Rennco, LLC and is subject to return upon demand.



a division of Pro Mach

300 ELM ST. - HOMER, MI 49245

PHONE: (517) 568-4121
FAX: (517) 568-4799

APPROVAL SIGNATURE OF CUSTOMER
AGENT. SIGNATURE INDICATES ACCEPTANCE
OF EQUIPMENT LAYOUT.

SIGNED: _____

COMPANY: _____

PROJECT #: _____

DATE: _____

MATERIAL:	
FINISH:	
NEXT ASSY:	
ENG. BY:	W.O. NO.:
DRAWN BY: JS	CHECKED BY:

TITLE: 201PP W/ 12" X 72" DISCHARGE CONVEYOR

SCALE: N/A
DATE: 12/27/12

A DRAWING NUMBER:
D0004194