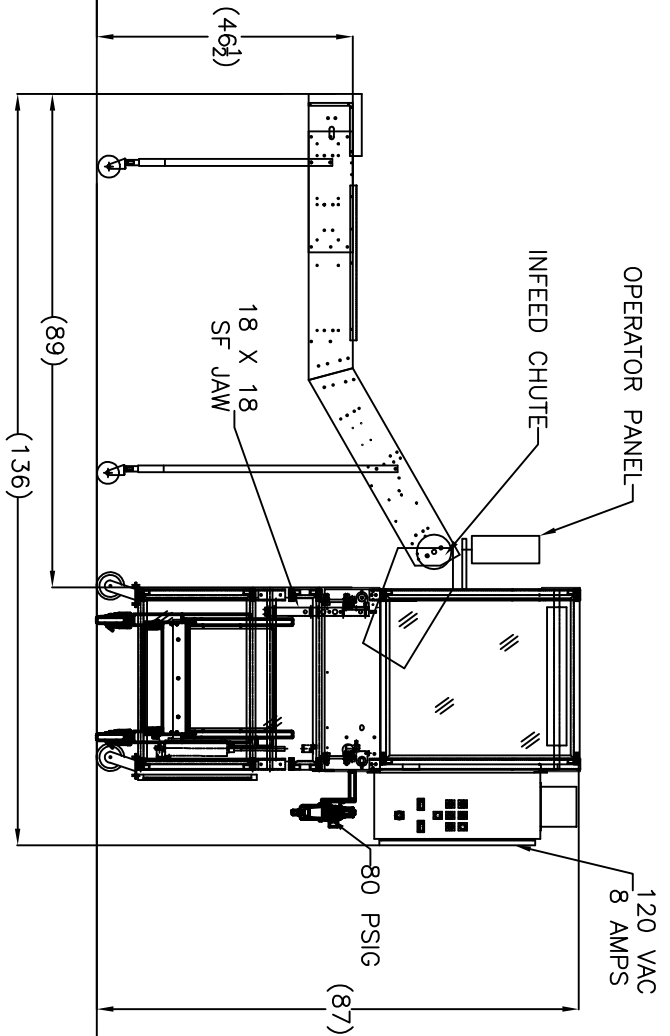
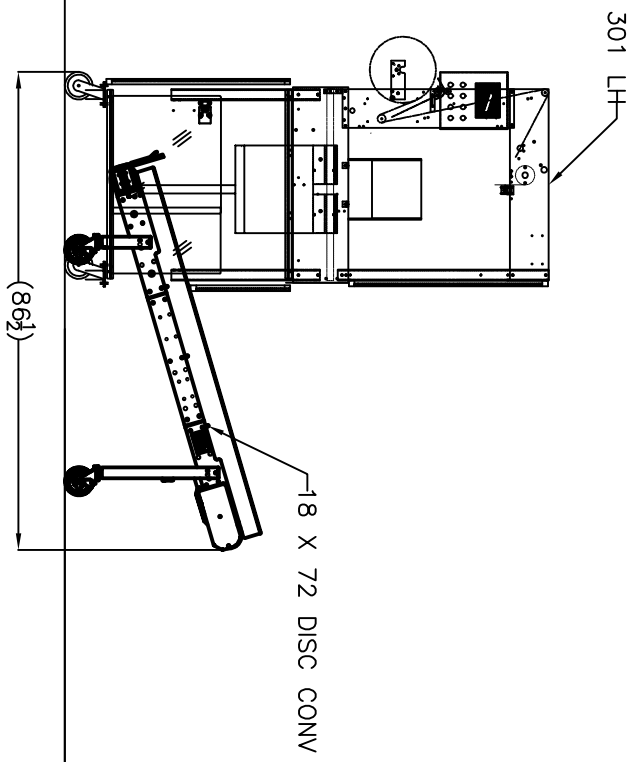


ALL DIMENSIONS IN INCHES  
ALL DIMENSIONS APPROXIMATE

DRAWING NUMBER:  
**D0004204**



This drawing and all information contained herein is the property of Remnco, LLC and is confidential and must not be made public or reproduced by any means unless authorized by Remnco, LLC and is subject to return upon demand.

APPROVAL SIGNATURE OF CUSTOMER AGENT. SIGNATURE INDICATES ACCEPTANCE OF EQUIPMENT LAYOUT.

SIGNED: \_\_\_\_\_  
COMPANY: \_\_\_\_\_  
PROJECT #: \_\_\_\_\_  
DATE: \_\_\_\_\_

MATERIAL: \_\_\_\_\_  
FINISH: \_\_\_\_\_  
NEXT ASSY: \_\_\_\_\_  
ENG. BY: \_\_\_\_\_  
DRAWN BY: **CLB**

W.O. NO.: \_\_\_\_\_  
CHECKED BY: \_\_\_\_\_  
SCALE: **N/A**  
DATE: **1/29/2013**



TITLE: **300 ELM ST. - HOMER, MI 49245**  
301 PP LH BUCKET INFEED CONV & DISC CONV

PHONE: (517) 568-4121  
FAX: (517) 568-4799

DRAWING NUMBER:  
**D00004204**