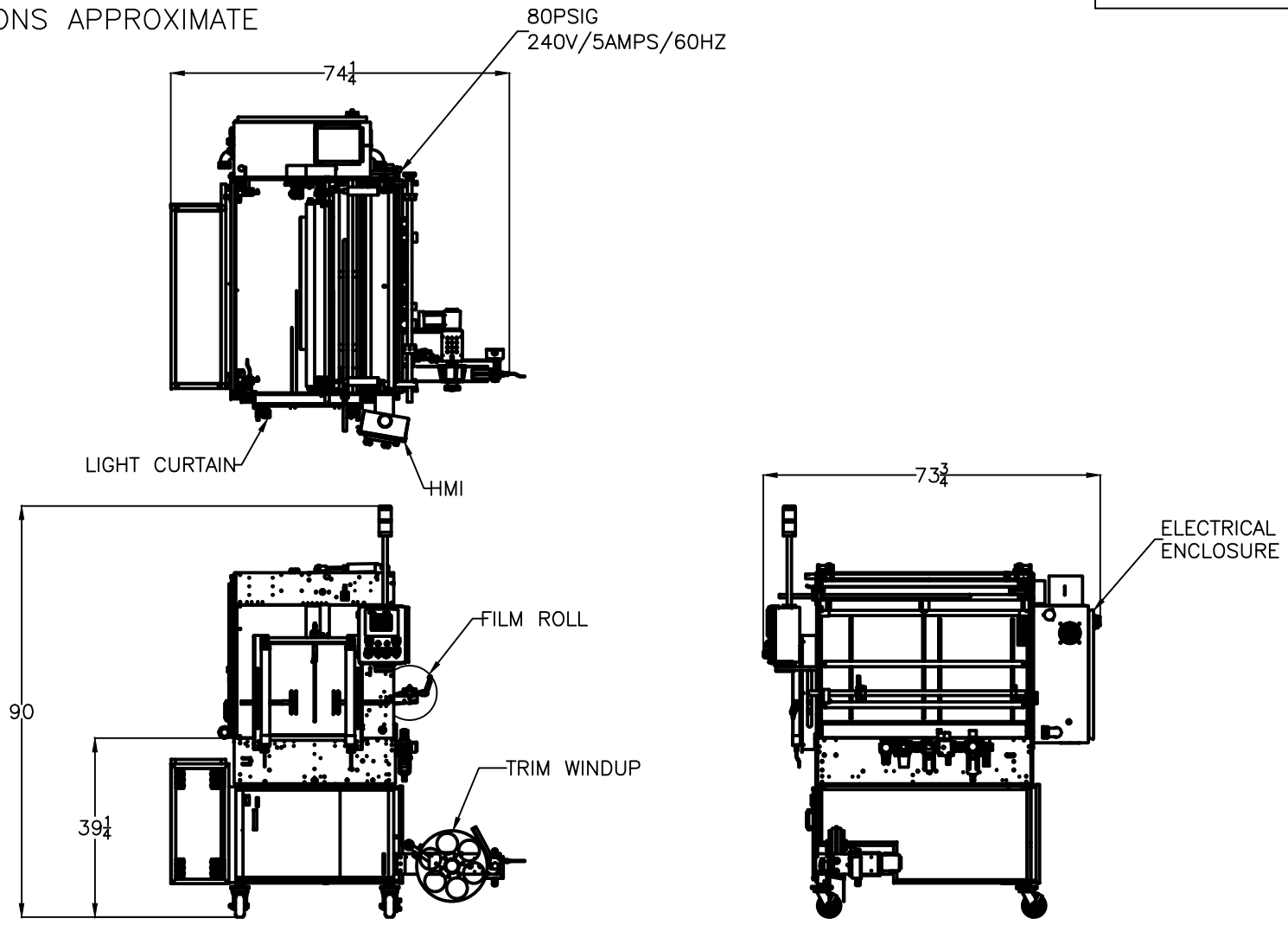


ALL DIMENSIONS IN INCHES  
ALL DIMENSIONS APPROXIMATE

DRAWING NUMBER:  
D0004088



This drawing and all information contained herein is the property of Rennco, LLC and is confidential and must not be made public or reproduced by any means unless authorized by Rennco, LLC and is subject to return upon demand.



a division of Pro Mach

**300 ELM ST. - HOMER, MI 49245**

PHONE: (517) 568-4121  
FAX: (517) 568-4799

APPROVAL SIGNATURE OF CUSTOMER AGENT. SIGNATURE INDICATES ACCEPTANCE OF EQUIPMENT LAYOUT.

MATERIAL:

TITLE: 501-36 HAND LOAD

SIGNED: \_\_\_\_\_

FINISH:

COMPANY: \_\_\_\_\_

NEXT ASSY:

PROJECT #: \_\_\_\_\_

ENG. BY: \_\_\_\_\_ W.O. NO.: \_\_\_\_\_

SCALE: N/A A

DRAWING NUMBER: D0004088

DATE: \_\_\_\_\_

DRAWN BY: JS CHECKED BY: \_\_\_\_\_

DATE: 4/18/12