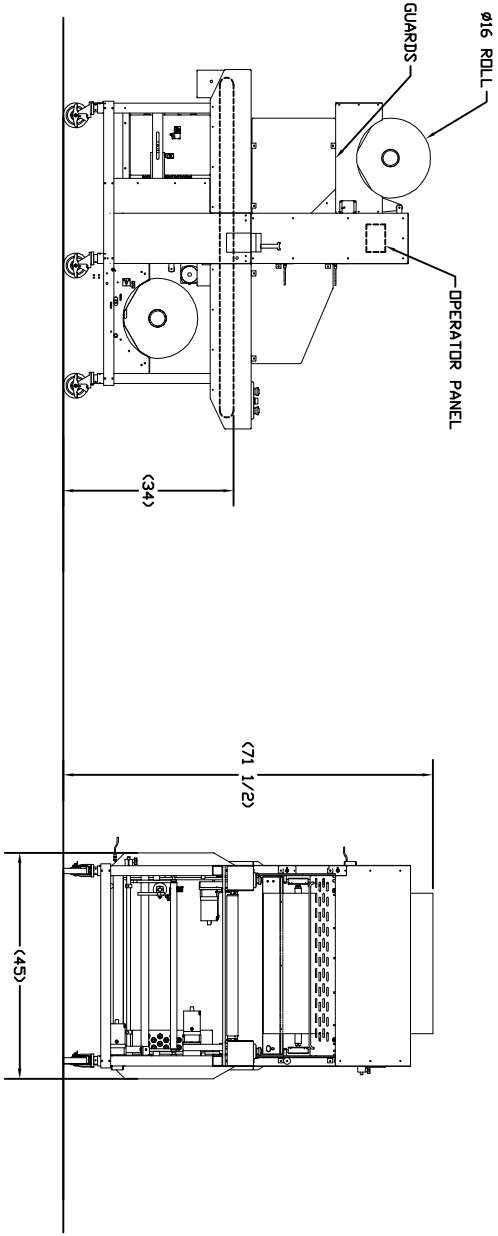
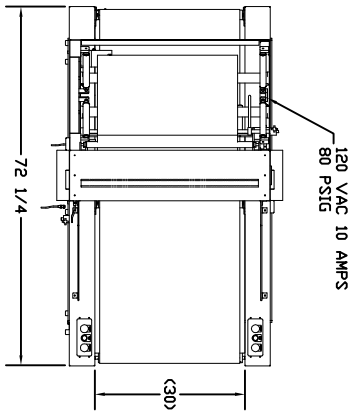


ALL DIMENSIONS IN INCHES
ALL DIMENSIONS APPROXIMATE

DRAWING NUMBER:
D0004006



This drawing and all information contained herein is the property of Renmco, Inc. and is confidential and must not be made public or reproduced by any means unless authorized by Renmco, Inc. and is subject to return upon demand.

APPROVAL SIGNATURE OF CUSTOMER AGENT. SIGNATURE INDICATES ACCEPTANCE OF EQUIPMENT LAYOUT.

SIGNED: _____
COMPANY: _____
PROJECT #: _____
DATE: _____

MATERIAL:	
FINISH:	
NEXT ASSY:	
ENG. BY:	V.D. NO.:
DRAWN BY: CLB	CHECKED BY:

Renmco
World-Class Packaging Solutions

a division of Pro Mach
300 ELM ST. - HOMER, MI 49245

PHONE: (517) 568-4121
FAX: (517) 568-4799

TITLE: BUNDLER

SCALE: N/A

DATE: 8/1/2011

DRAWING NUMBER: D0004006