

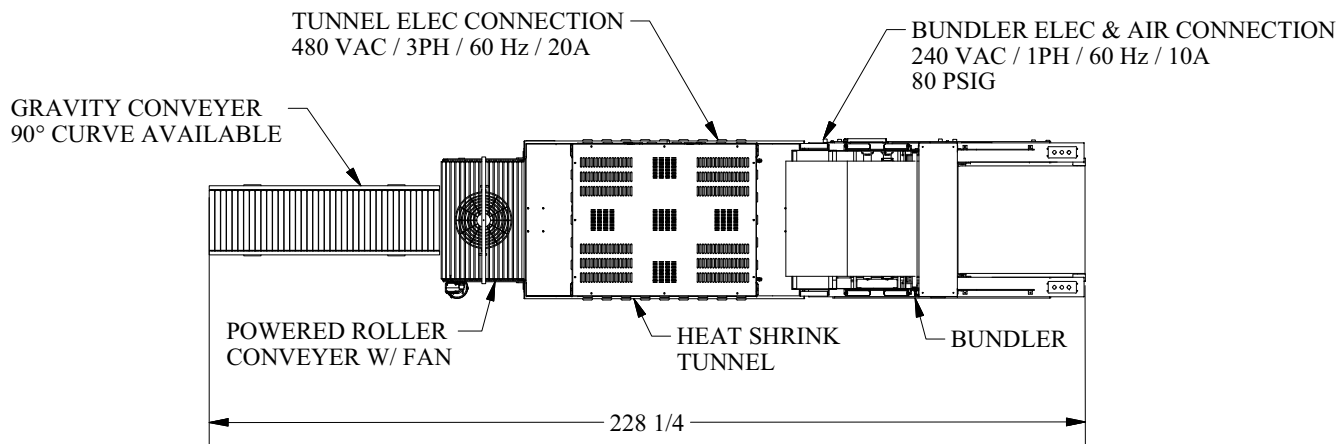
2

1

ALL DIMENSIONS IN INCHES  
ALL DIMENSIONS APPROXIMATE

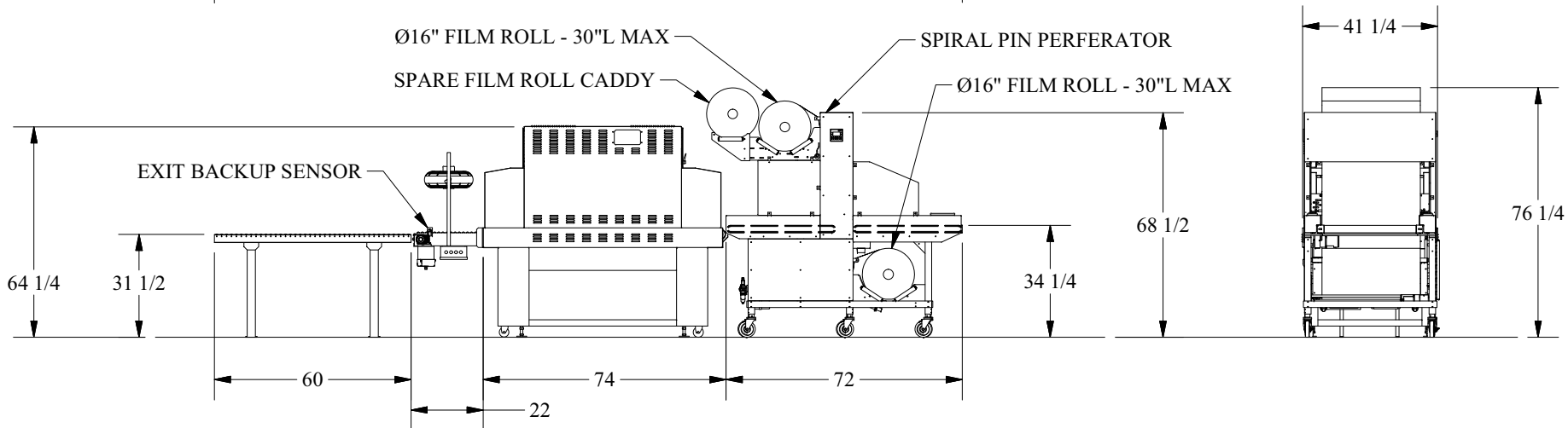
B

B



A

A



A

This drawing and all information herein is the property of Rennco LLC and is confidential and must not be made public or reproduced by any means unless authorized by Rennco LLC and is subject to return upon demand.



PHONE: (517)568-4121  
FAX: (517)568-4799  
WWW.RENNCO.COM

300 ELM STREET, HOMER, MI 49245

APPROVAL SIGNATURE OF CUSTOMER AGENT.  
SIGNATURE INDICATES ACCEPTANCE OF EQUIPMENT LAYOUT.

FINISH:

SIGNED: \_\_\_\_\_

COMPANY: \_\_\_\_\_

PROJECT #: \_\_\_\_\_

DATE: \_\_\_\_\_

ENG. BY:

JEF

DRAWN BY:

JEF

DATE DRAWN:  
5/31/2011

TITLE:

BUNDLER WITH HEAT TUNNEL AND GRAVITY CONVEYER

SCALE:

N/A

QTY REQ'D:

DRAWING NUMBER:

D0003983

SHEET

1

2

1