



# VERTICAL PACKAGING SOLUTIONS CATALOG

R&E

ROBOTICS &  
END OF LINE



Since 1969, companies around the world have depended on Rennco's automatic and semi-automatic solutions to package a wide variety of single, multiple and unusual shaped products. Rennco's fast, easy-to-use form, fill, and seal systems produce packages as small as two inches square up to 24"x 65", without the high cost of using pre-made bags. Rennco also designs and manufactures innovative product handling, counting, accumulating and feeding systems for complete automated solutions.

## YOUR PRODUCT. YOUR BUDGET. YOUR NEEDS.

Rennco manufactures a full line of vertical packaging machinery and automated systems that create flexible packages and bags to suit your products and needs.

### PRODUCTS INCLUDE:

- Baking Pans
- Clothing
- Fresh Fruit
- License Plates
- Pencils
- Safety Glasses
- Baseballs
- Cups
- Food Service Disposables
- Magazines
- Plastic Model Kits
- Screws
- Bath Soap
- Deer Feeder Blocks
- Medical goods
- Plastic Tumblers
- Sports Equipment
- Breathing Mask Kits
- Drawer Frame Kits
- Guitar Strings
- Multi-packs
- Printer Ribbons
- Stickers
- Candy
- Electronics
- Hardware Kits
- Oil Filter Kits
- Railings
- Textiles
- Card Decks
- Flatware
- Hospital Disposables
- Paint Brush
- Razors
- Twine



501 MODEL



# MODEL 201

## FEATURES AND BENEFITS

- Versatile packager for smaller products up to 8"x 10"
- Significant cost savings over pre-made bags
- Small footprint pouch pack/kit packing system

SPECIFICATIONS	MODEL 201/201PP
<b>Machine Dimensions</b>	26" w x 29" d x 56" h (66 cm x 74 cm x 142 cm)
<b>Standard Vertical Seal</b>	8" (20.3 cm)
<b>Standard Horizontal Seal</b>	10" (25.4 cm)
<b>Standard Jaw Opening</b>	4-1/2" (11.4 cm)
<b>Electrical Requirements</b>	110 v, 60 HZ, 1 ph, 8-14 amps*
<b>Air Requirements</b>	.12 CFM per machine cycle at 80 PSI**



# MODEL 301

## FEATURES AND BENEFITS

- Versatile packager for medium sized products up to 18" x 24"
- User-friendly HMI and programmable changeover
- Easy to operate with quick, easy changeover
- Easily interfaced with infeed systems

SPECIFICATIONS	MODEL 301	MODEL 301 PP
<b>Machine Dimensions</b>	60" w x 56" d x 75" h (152.4 cm x 142.24 cm x 190.5 cm)	60" w x 56" d x 75" h (152.4 cm x 142.24 cm x 190.5 cm)
<b>Standard Vertical Seal</b>	14" (35.6 cm)	14" (35.6 cm)
<b>Standard Horizontal Seal</b>	20" (50.8 cm)	18" (45.7 cm)
<b>Standard Jaw Opening</b>	9 3/4" (24.7 cm)	9 3/4" (24.7 cm)
<b>Electrical Requirements</b>	110 v, 60 HZ, 1 ph, 8-14 amps*	110 v, 60 HZ, 1 ph, 8-14 amps*
<b>Air Requirements</b>	.16 CFM per machine cycle at 80 PSI**	.16 CFM per machine cycle at 80 PSI**



\* Special electrics available upon request

\*\* CFM will vary depending on added options

# MODEL 501

## FEATURES AND BENEFITS

- Available in three different size configurations up to 24"x 65" in length
- User-friendly HMI and programmable changeover
- Easy to operate with quick, easy changeover
- Easily interfaced with infeed systems



SPECIFICATIONS	MODEL 501-36/501-36PP	MODEL 501-52/501-52PP	MODEL 501-65
<b>Machine Dimensions</b>	34-1/2" w x 63" d x 68-1/2" h (88 cm x 160 cm x 174 cm)	34-1/2" w x 82" d x 68-1/2" h (88 cm x 208 cm x 174 cm)	34-1/2" w x 98-1/2" d x 68-1/2" h (88 cm x 250 cm x 174 cm)
<b>Standard Vertical Seal</b>	14" (35.6 cm)	14" (35.6 cm)	14" (35.6 cm)
<b>Standard Horizontal Seal</b>	36" (91 cm)	52" (132 cm)	65" (165 cm)
<b>Standard Jaw Opening</b>	9 3/4" (24.7 cm)	9 3/4" (24.7 cm)	9 3/4" (24.7 cm)
<b>Electrical Requirements</b>	220/240 v, 60 HZ 1 ph, 7-1/2-8 amps*	220/240 v, 60 HZ 1 ph, 7-1/2-8 amps*	220/240 v, 60 HZ 1 ph, 8-1/2-9 amps*
<b>Air Requirements</b>	.43-.60 CFM at 80 PSI**	.43-.60 CFM at 80 PSI**	.43-.60 CFM at 80 PSI**

# VOYAGER

## FEATURES AND BENEFITS

- Fully automatic vertical packager up to 60 packages/minute
- User-friendly HMI and programmable changeover
- Operator interface panel on a swivel arm that is easy to navigate and has easy to change machine settings
- Servo driven film feed and adjustable film guide provides easy tool-less changeover

SPECIFICATIONS	VOYAGER
<b>Machine Dimensions</b>	54" w x 48" d x 70-3/4" h (137 cm x 131.9 cm x 179.5 cm)
<b>Speeds</b>	Up to 60 packages/min based on product size
<b>Standard Vertical Seal</b>	14" (35.6 cm)
<b>Standard Horizontal Seal</b>	24" (60.8 cm)
<b>Standard Jaw Opening</b>	4-1/2" (10.2 cm)
<b>Electrical Requirements</b>	220/240 v, 60 HZ, 1 ph, 8-14 amps*
<b>Air Requirements</b>	.16 CFM per machine cycle at 80 PSI**



\* Special electrics available upon request

\*\* CFM will vary depending on added options

# E-PAC

## FEATURES AND BENEFITS

- All electric - no compressed air
- 110 v plug in anywhere convenience
- Servo seal jaw operation
- Servo film feed operation

SPECIFICATIONS	MODEL E-PAC
<b>Machine Dimensions</b>	46" w x 40" d x 62-1/4" h (101.6 cm x 116.84 cm x 158.12 cm)
<b>Standard Vertical Seal</b>	14" (35.6 cm)
<b>Standard Horizontal Seal</b>	20" (50.8 cm)
<b>Standard Jaw Opening</b>	2" (5.08 cm) to 7" (17.78 cm)
<b>Electrical Requirements</b>	110 v, 60 HZ, 1 ph, 12 amps*
<b>Air Requirements</b>	None
<b>Speed</b>	Approximately 25 per minute (based on product size)



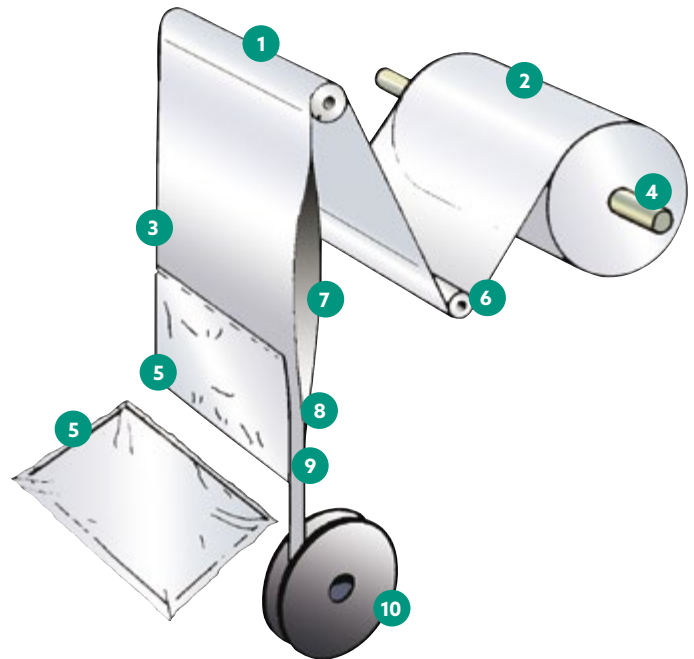
## FEATURES & OPTIONS

	MODEL				
	201	301	501	VOYAGER	E-PAC
<b>Constant Coated Seal System</b>	S	S	S	N/A	O
<b>Tri Bar Seal System</b>	N/A	O	O	S	S
<b>Low Energy Seal System</b>	N/A	O	O	N/A	N/A
<b>Uptime Seal Jaw</b>	O	S	S	S	S
<b>Adjustable Jaw Opening</b>	N/A	O	O	N/A	S
<b>Tool-less Film Guides</b>	N/A	S	S	S	S
<b>Leg &amp; Height Adjustments</b>	S	S	S	S	S
<b>Casters</b>	S	S	S	S	S
<b>Multiple Control Platforms</b>	N/A	O	O	N/A	N/A
<b>Light Screen Cycling Mechanism &amp; Perimeter Interlocked Guarding</b>	S	S	S	S	S
<b>Jaw Guards</b>	O	O	O	O	O
<b>Discharge Conveyors</b>	O	O	O	O	O
<b>Pin Perforator</b>	O	O	O	O	S
<b>Electric Eye Film Registration</b>	O	O	O	O	O
<b>Header Sealer</b>	O	O	O	O	O
<b>Static Eliminator</b>	O	O	O	O	O
<b>Hole Punch</b>	O	O	O	O	N/A
<b>Film Cart</b>	N/A	O	O	O	N/A
<b>Powered Film Cradle</b>	N/A	O	O	S	N/A
<b>Trim Break Detection Eye</b>	O	O	O	O	N/A
<b>Trim Wind Up</b>	S	S	S	S	S
<b>Large Trim Wind Up</b>	N/A	O	O	O	N/A
<b>Spare Assemblies &amp; Parts Kits</b>	O	O	O	O	O
<b>Servo Film Feed</b>	O	O	O	S	S

Key: S=Standard, O=Optional, NA=Not Applicable

### EASY FILM CHANGEOVER

A or B wind material can be used on any of the Rennco vertical models. Bag size changeover is accomplished by simply changing roll stock to the desired width, and adjusting the vertical adjustment wheel, or control, for different lengths.



- |                        |                     |                  |
|------------------------|---------------------|------------------|
| 1. FEED ROLLER         | 4. ROLL STOCK ARBOR | 7. LOAD PRODUCT  |
| 2. ROLL STOCK MATERIAL | 5. FINISHED PACKAGE | 8. TRIM          |
| 3. HORIZONTAL SEAL     | 6. GUIDE ROLLER     | 9. VERTICAL SEAL |
|                        |                     | 10. TRIM TAKE-UP |

# TECHNICAL SUPPORT AND SERVICE

## Ensuring All Production Expectations Are Met

### PACKAGING SOLUTIONS FOR OVER 40 YEARS

- **Installation and Start Up of New Equipment.** Experienced Rennco technicians provide assistance in setting up and testing in your plant to ensure all production expectations are met.
- **PMMI Certified Training.** Rennco technicians will train in your plant, on your equipment.
- **Follow-Up Training.** Rennco technicians are available any time after the initial installation for follow-up training for new employees or to provide new information and techniques.
- **System Upgrades.** Rennco offers general or application-specific equipment upgrades. Some examples include PLC and electrical controls, servo-linear actuators, and seal assemblies, as well as adding basic packager options.
- **Product Handling.** Rennco offers automated product handling solutions for your existing packager. These include conveyors, product infeed mechanisms, and discharge systems.
- **Machine Repair and Service.** Rennco technicians provide timely repair assistance and general machine service. They offer equipment evaluations, assistance in achieving maximum production rates, and recommendations for upgrades and maintenance schedules.
- **Refurbishing Packagers or Entire Systems.** Cost effective and warranted factory refurbishing is available for most Rennco equipment.

### AFTER-MARKET CUSTOMER SERVICES

- **Competent Phone Service.** Trouble shooting support for everything from mechanical adjustments to electrical controls, PLC programming, and recommended maintenance. Contact Rennco at 800-701-1343.
- **Parts Sales.** Rennco takes pride in a responsive and supportive parts department. Most orders are shipped the same day and arrive at your door the next day, if required.
- **After Hours Support.** Call 517-449-8901 after 5 pm ET to speak with a service technician.





**PROMACH**<sup>®</sup>

**RENNCO**<sup>®</sup>

Manufacturers of consumer goods, consumer disposables, food, hardware, and medical goods across the globe rely on Rennco for high-performance semi-automatic vertical bagging machines, semi-automatic horizontal bagging machinery, and automated vertical bagging systems.

As part of the ProMach Robotics & End of Line business line, Rennco helps our packaging customers protect and grow the reputation and trust of their consumers. ProMach is performance, and the proof is in every package. Learn more about Rennco at [www.Rennco.com](http://www.Rennco.com) and more about ProMach at [ProMachBuilt.com](http://ProMachBuilt.com).

300 Elm St  
Homer, MI 49245  
TOLL FREE: 800-409-5225  
INTERNATIONAL: 517-568-4121  
F: 517-568-4798  
E: [Rennco@ProMachBuilt.com](mailto:Rennco@ProMachBuilt.com)  
[Rennco.com](http://Rennco.com)