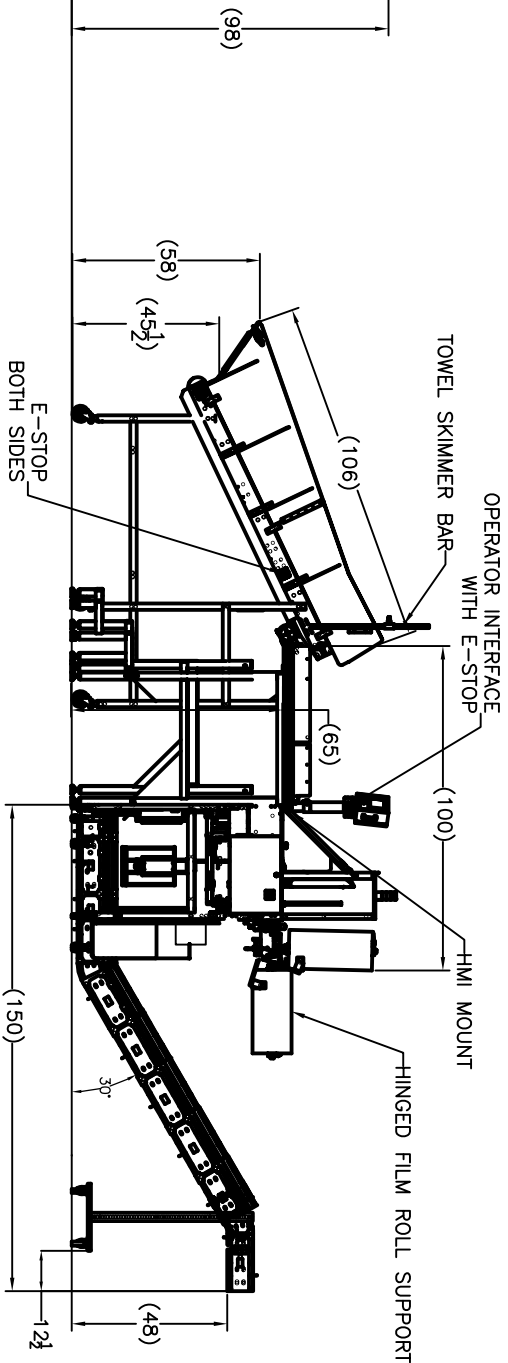
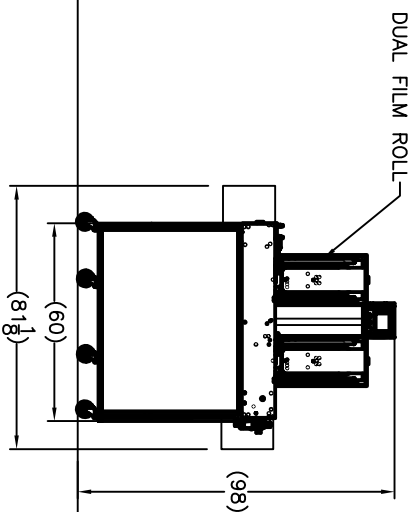
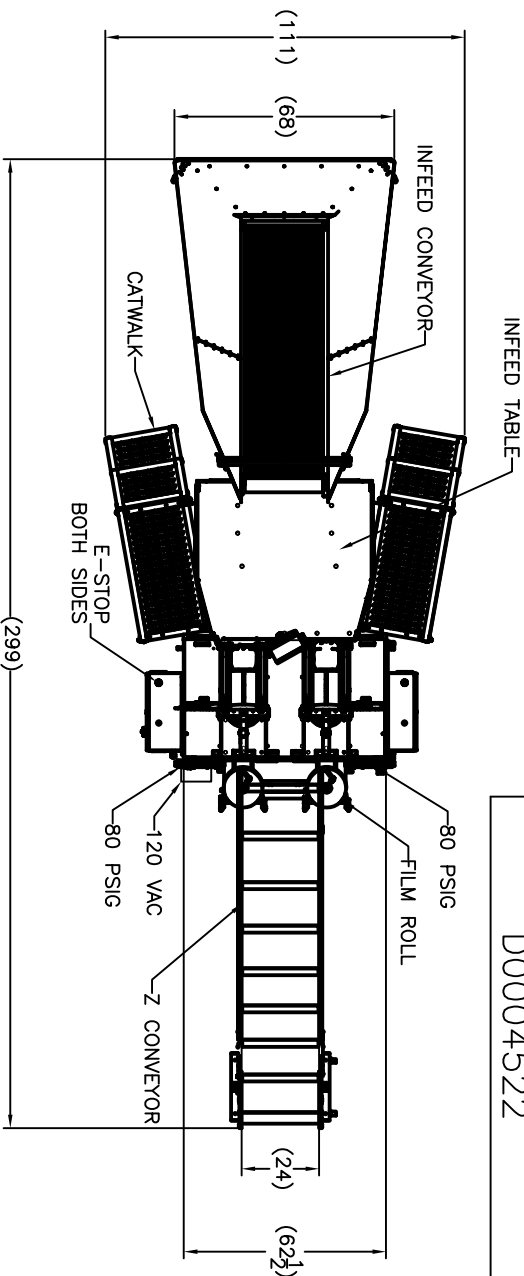


ALL DIMENSIONS IN INCHES
ALL DIMENSIONS APPROXIMATE

DRAWING NUMBER:
D0004522



This drawing and all information contained herein is the property of Remnco, LLC and is confidential and must not be made public or reproduced by any means unless authorized by Remnco, LLC and is subject to return upon demand.

APPROVAL SIGNATURE OF CUSTOMER AGENT. SIGNATURE INDICATES ACCEPTANCE OF EQUIPMENT LAYOUT.

MATERIAL:

300 ELM ST. - HOMER, MI 49245

PHONE: (517) 568-4121
FAX: (517) 568-4799

SIGNED: _____

FINISH:

TITLE:

COMPANY: _____

NEXT ASSY:

DUAL TOWEL MACHINE WITH INFEED CONVEYOR, TABLE & DISC CONV, 120 VAC, 27" BAG

PROJECT #: _____

ENG. BY:

CLB

W.O. NO.:

N/A

DATE: _____

DRAWN BY:

CLB

CHECKED BY:

DATE: 2/1/16

DRAWING NUMBER:

D00004522



a division of Pro Mach